



*The Perfect Move*



**ARX slide**  
Espagnolette

Hardware for PVC window - Slide  
Catalogue of products 2016

Photography by:  
Kovinoplastika Lož d.d.,

All the information in the following brochure has been carefully selected and verified. In the time of ever-growing technical progress and improvements, necessary changes constantly take place. We therefore thank you for your understanding, as we can not be held responsible for the correctness and completeness of the brochure content due to the reasons mentioned above. We reserve all the rights, especially the right to reproduce and transmit all parts of this publication.

**KK 0249.16**  
Copyright: maj/2016  
Kovinoplastika Lož d.d.,  
Lož, Cesta 19. oktobra 57,  
SI-1386 Stari trg pri Ložu  
tel.: +386 1 70 95 100,  
fax: +386 1 70 95 553  
e-mail: [info@kovinoplastika.si](mailto:info@kovinoplastika.si),  
[www.kovinoplastika.si](http://www.kovinoplastika.si)

# Manufacturer



Kovinoplastika Lož d. d. is an international company with a longstanding tradition; its aim is to meet the customers' demand for functional quality products. We are organized as a single entity joint-stock company with three divisions and many affiliated companies in Slovenia and abroad.

The operations which are performed in accordance with the international certificates obtained, our knowledge and modern technologies, result in a successful performance in all our core product lines.

We are developing business excellence and making investments in the development in all the strategic areas. Our products and services are marketed under trademarks which are managed by ourselves and with the help of our partners.

Besides its distinctive quality, the building hardware of Kovinoplastika Lož has an excellent quality-to-price ratio, providing Kovinoplastika Lož with a fast and effective strategy of winning market positions both in the European Union and other European countries.

The ARX building hardware made by Kovinoplastika Lož - turn & tilt hardware for doors and shutters are the most distinguished. Is available on selected international markets, where Kovinoplastika Lož markets its products and effectively manages them with its own subsidiaries, whereas the others are managed by maintaining long-lasting and successful partnerships with local companies.

It must be pointed out that Kovinoplastika Lož was the first company in the world, which developed and patented the system of multi-point door locks, operating on the lever principle.

Besides managing production development and marketing all the programmes of building hardware, Kovinoplastika Lož ranks successfully among the top kitchen sink suppliers and gastronomic dishes for professional kitchens under our own trademark ALVEUS.

# Compatibility of components to ensure reliability of operation



The ARX building hardware is new hardware for windows, balcony doors and door locks, being a product of our own development. We are an European hardware manufacturer from Slovenia, with extensive experience in the field of development, production and marketing of the most complex hardware for windows and doors.

The ARX building hardware is fully reliable and adjusted to hard climate; it combines the following features:

## Innovation of functional solutions

- High-quality material
- High quality production and installation of individual hardware sets by using highly automated production
- Hardware is easy to maintain, providing a simple and environmentally friendly degradation
- A wide range of use
- Long-term operation and simple installation
- Offers the possibility of high level of automation assembly hardware on the window sash and frame
- Proper surface protection ARXCoat, providing good anti-corrosion durability and a trendy silver appearance, all due to the hot-dip galvanizing process

With a thoroughly made - out design, the ARX building hardware will add a new value to your windows and balcony doors.

## Manufacturer´s standards and certificates

In January 1994, Kovinoplastika Lož acquired the ISO 9001 compliance certification. After that in 2002, the company was successfully recertified and acquired the ISO 9001:2000.

In 2009, Kovinoplastika Lož acquired an important certificate - ISO/TS 16949, proving appropriate compliance certification for implementing appropriate environmental policy.

Kovinoplastika Lož was the first big industrial company in Slovenia to gain the ISO 14001 compliance certification for implementing appropriate environmental policy.



# General advice concerning the catalogue

- All dimensions in mm.
- The depicted illustrations and /or technical drawings are not to scale.
- The width-height ratio of a sliding sash should be 1 : 2,5 maximum.
- Application range: The maximum length of the espagnolette is shown in the illustration.



## ARXCoat – High quality surface protection

ARXCoat surface protection gives excellent appearance to building hardware and simultaneously ensures long-term and durable surface.

It maintains very high corrosion resistance in severe conditions and extreme climate, exceeding Grade 5 of BS EN1670 (480 hours exposure to salt spray), thereby guaranteeing long-term and simple use without any maintenance trouble.

How have we accomplished this? Through a special technological process that consists of electroplated zinc coating and low-temperature thick-layer passivation, followed by application of organic sealant to increase the anti-corrosion properties.

# Single action espagnolettes

## Advantages of the system

- designed for use on timber, PVC and aluminium systems
- faceplate width 16 mm
- easy installation due to one-piece assembly
- anti-lift pin integrated as standard
- precise design of internal components ensures a smooth, reliable operation
- all surfaces are coated in ARX Coat (silver finish)

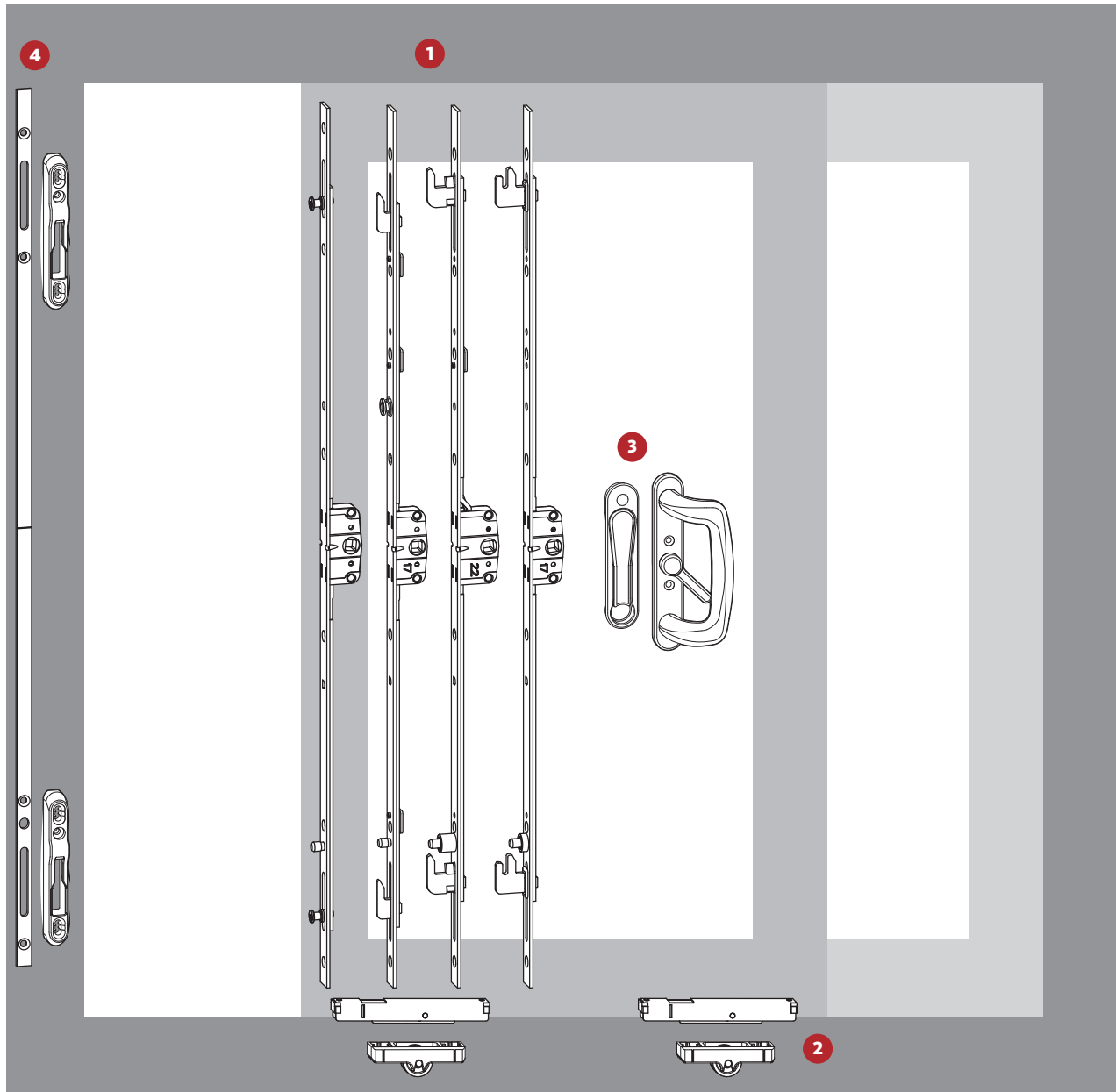
## Unsurpassed versatility

The modular In-line Sliding system offers numerous solutions to configure a locking system which suits the individual requirements in security, comfort and design. Concerning the single action espagnolettes ARX offers the following options:

- 7, 17 or 22 mm backsets available
- 7 different lengths of espagnolettes: 240–1800 mm
- 2– 4 point security
- different options for locking points:
- adjustable mushroom cams (8 mm)
- 5 mm hooks
- 14 mm hooks
- 8 mm night-vent hooks
- lockable and non-lockable versions
- one-piece or individual striker options

# Espagnolettes

## Single action - Hardware overview

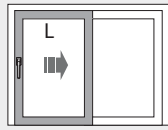


<b>1</b>	ESPAGNOLETTES
<b>2</b>	ROLLERS
<b>3</b>	HANDLES
<b>4</b>	STRIKERS - ARXslide
	ACCESSORIES - ARXslide

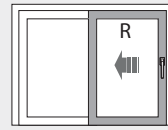
All hardware components exist in different variations. amount of hardware is needed. In applications with two movable sashes double amount of hardware is needed.

# Diagrams

**A**

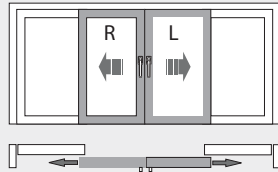


DIN left

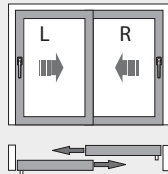


DIN right

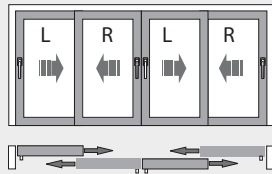
**C**



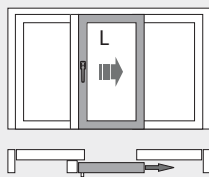
**D**



**F**



**G2**

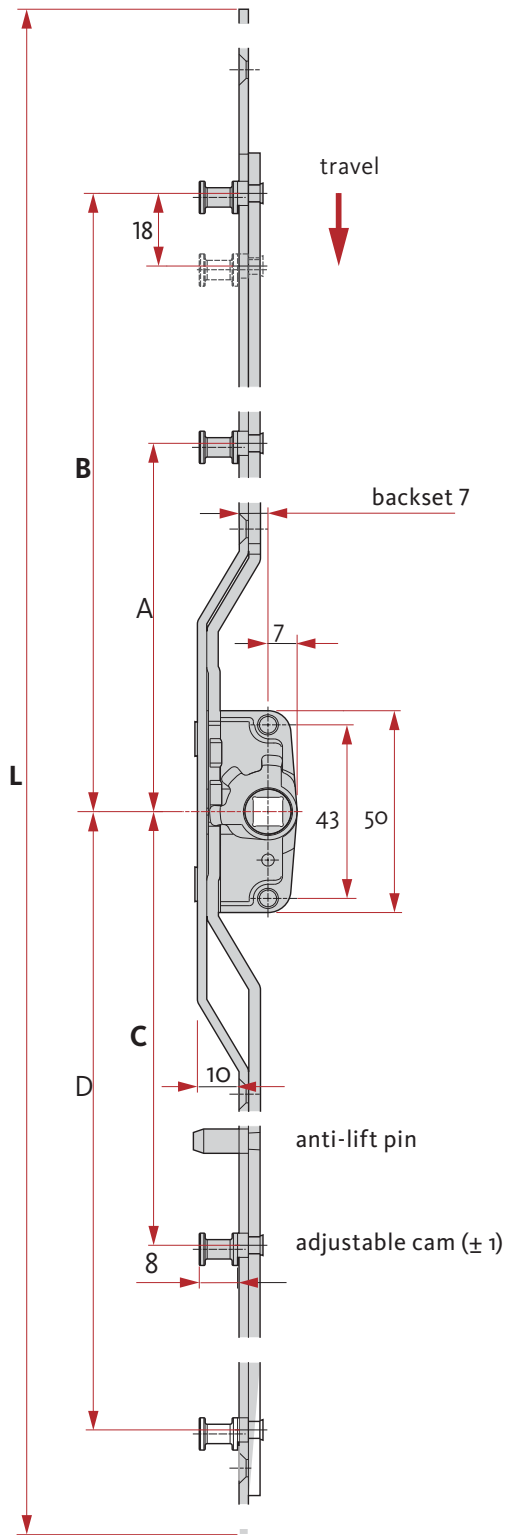


**K**



# Espagnolettes

Single action Espagnolettes - with adjustable cams backset 7 mm



ESPAGNOLETTE, BACKSET 7 mm

Application range (mm)	Length(mm)	Cams	Material Nr.
400 - 600	400	2	1110657
601 - 800	600	2	1110658
801 - 1000	800	2	1110659
1001 - 1200	1000	3	1110660
1201 - 1800	1200	3	1110661
1801 - 2900	1800	4	1110662

## DETAILED DIMENSIONS

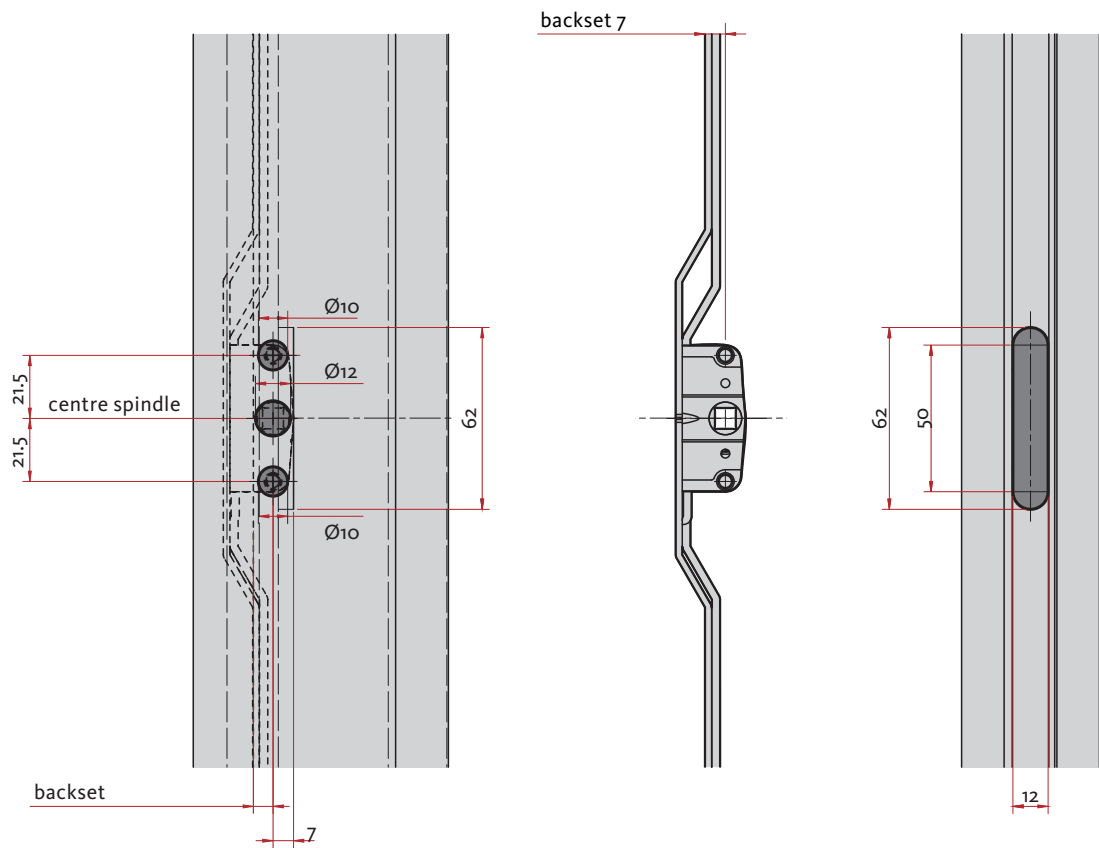
ESPAGNOLETTE, BACKSET 7 mm

L	A	B	C	D
400	-	143	-	127
600	-	243	-	227
800	-	343	-	327
1000	128	443	-	427
1200	128	543	-	527
1800	466	881	429	774



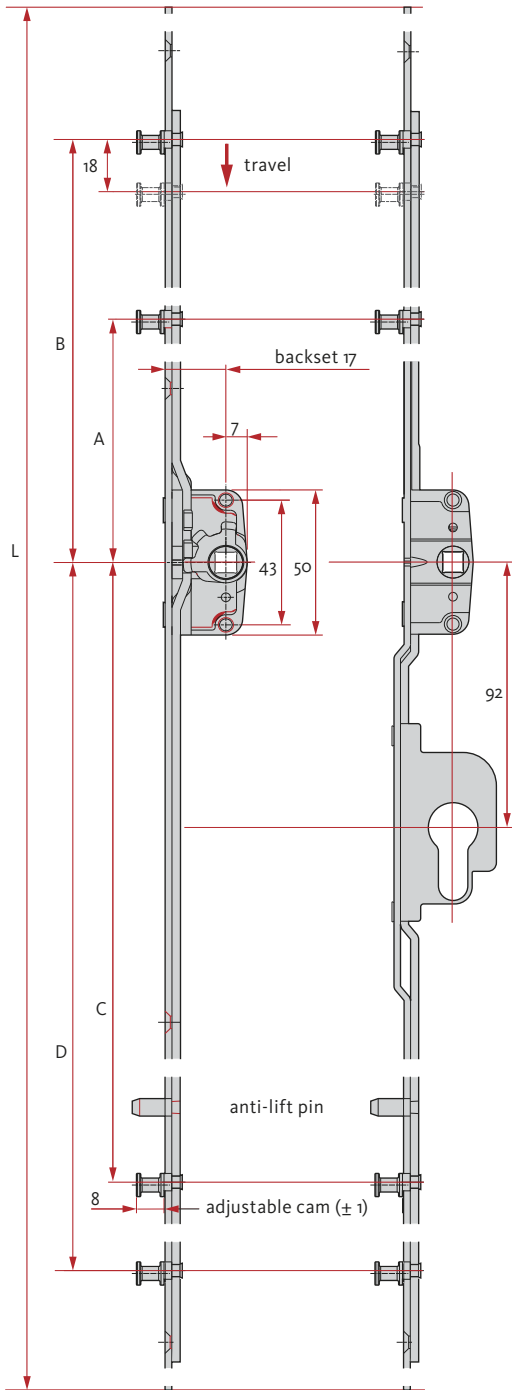
# Espagnolettes

Single action Espagnolettes - with adjustable cams backset 7 mm



# Espagnolettes

Single action Espagnolettes - with adjustable cams backset 17 mm



## ESPAGNOLETTE, BACKSET 17 mm

Application range (mm)	Length(mm)	Cams	Material Nr.
240 - 400	240	2	1110663
401 - 600	400	2	1110664
601 - 800	600	2	1110665
801 - 1000	800	2	1110666
1001 - 1200	1000	3	1110667
1201 - 1800	1200	3	1110668
1801 - 2900	1800	4	1110669

## ESPAGNOLETTE, BACKSET 17 mm, lockable

Application range (mm)	Length(mm)	Cams	Material Nr.
1801 - 2900	1800	4	1110670

## DETAILED DIMENSIONS

### ESPAGNOLETTE, BACKSET 17 mm

L	A	B	C	D
240	-	88	-	72
400	-	143	-	127
600	-	243	-	227
800	-	343	-	327
1000	128	443	-	427
1200	128	543	-	527
1800	466	881	429	774

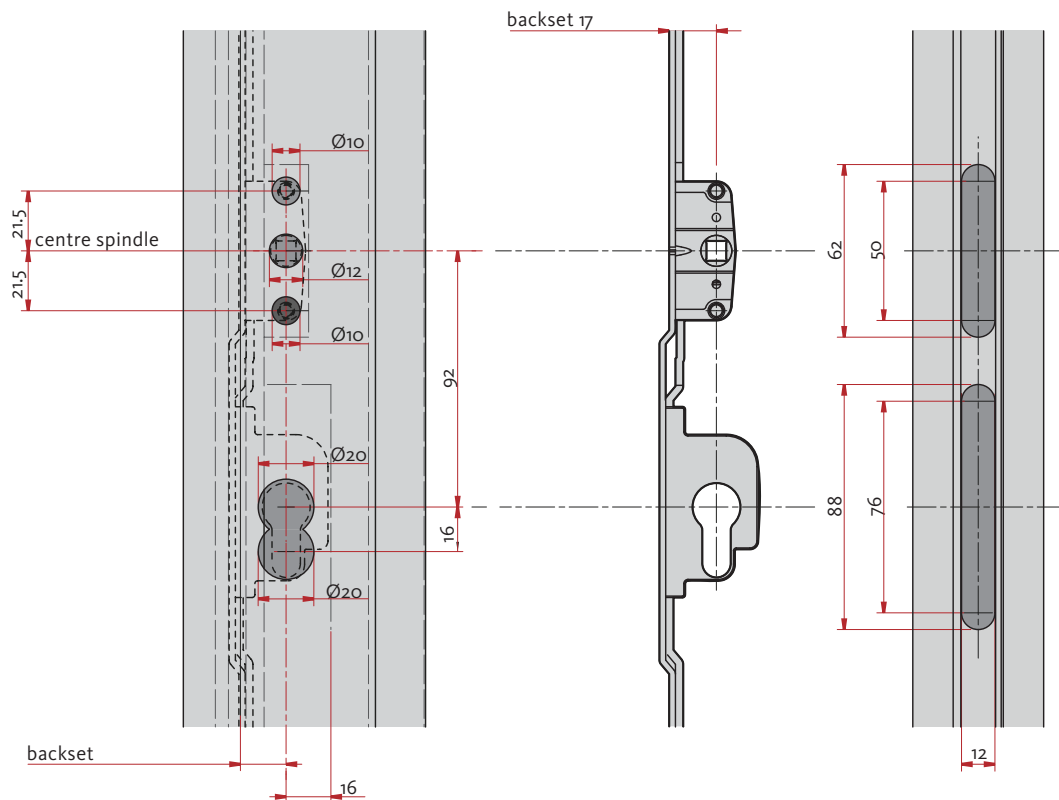
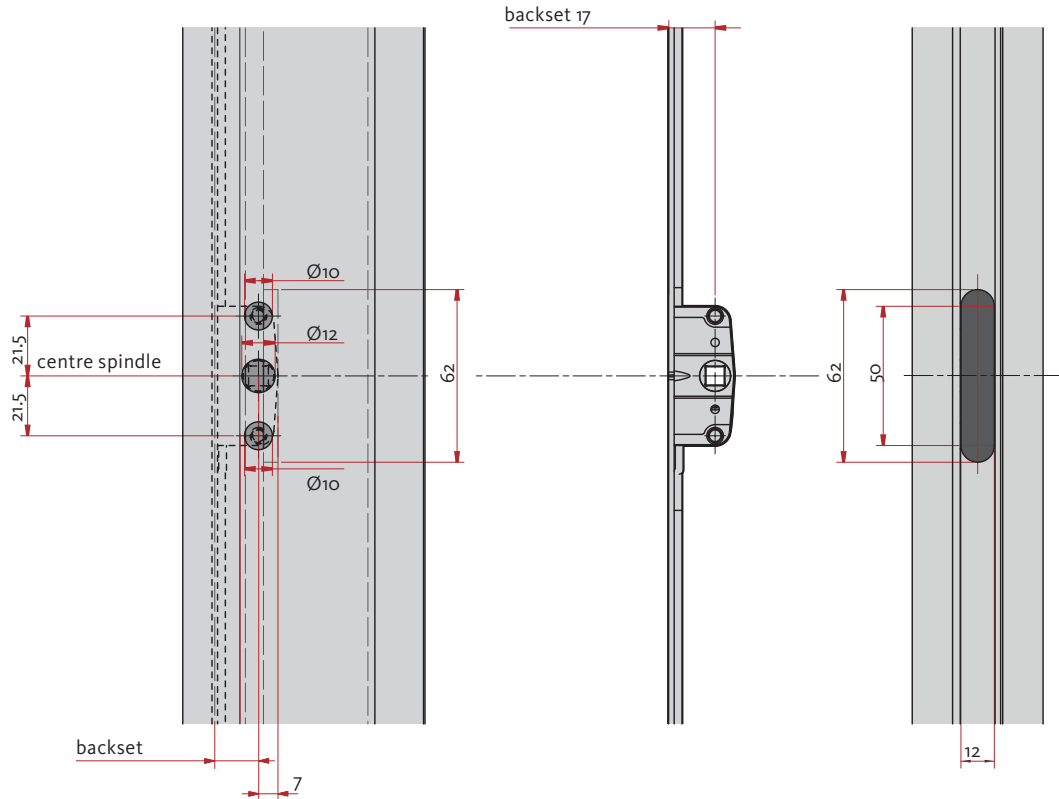
### ESPAGNOLETTE, BACKSET 17 mm, lockable

L	A	B	C	D
1800	466	881	429	774

# Espagnolettes

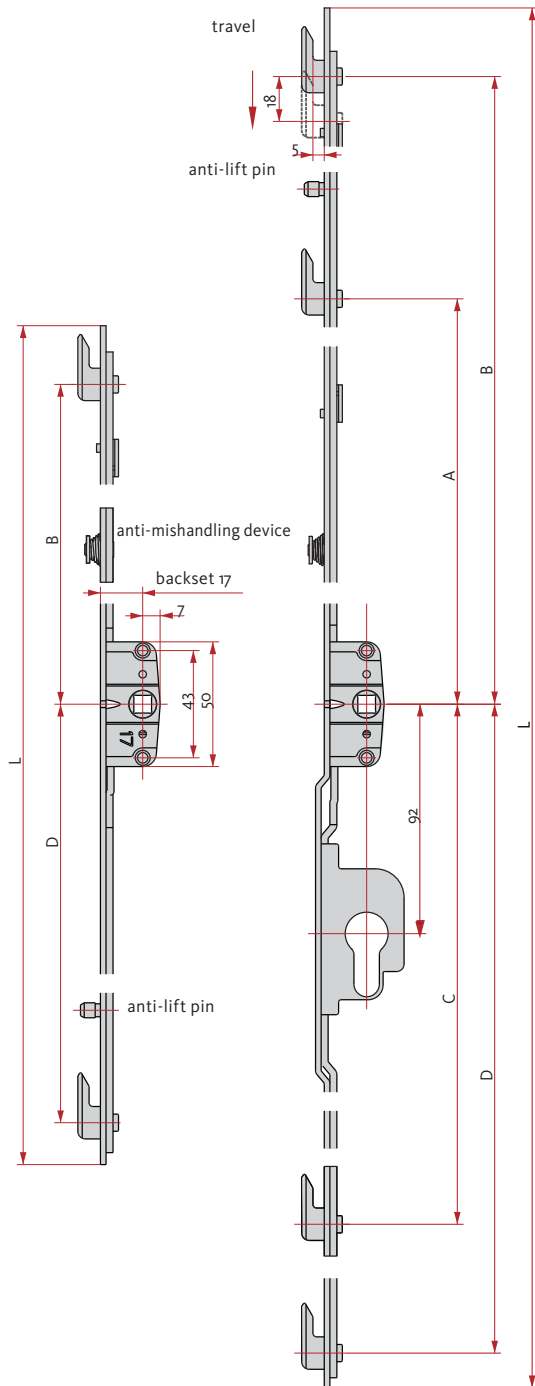
Single action Espagnolettes - with adjustable cams backset 17 mm

Drilling and routing hole-pattern



# Espagnolettes

Single action Espagnolettes - with 5 mm hooks backset 17 mm



## ESPAGNOLETTE, BACKSET 17 mm

Application range (mm)	Lenght(mm)	Hooks 5mm	Material Nr.
601 - 1800	600	2	1110671
1801 - 2900	1800	4	1110672

## ESPAGNOLETTE, BACKSET 17 mm, lockable

Application range (mm)	Lenght(mm)	Hooks 5mm	Material Nr.
1801 - 2900	1800	4	1110673

## DETAILED DIMENSIONS

### ESPAGNOLETTE, BACKSET 17 mm

L	A	B	C	D
600	-	243	-	228
1800	463	808	432	777

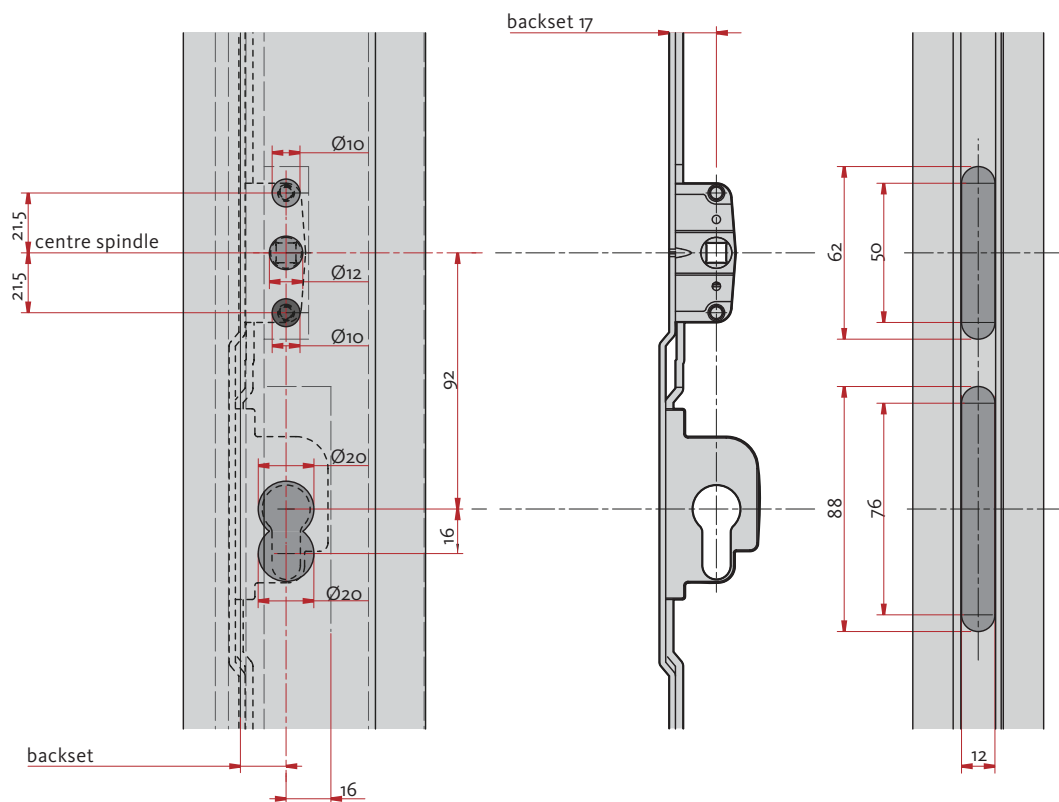
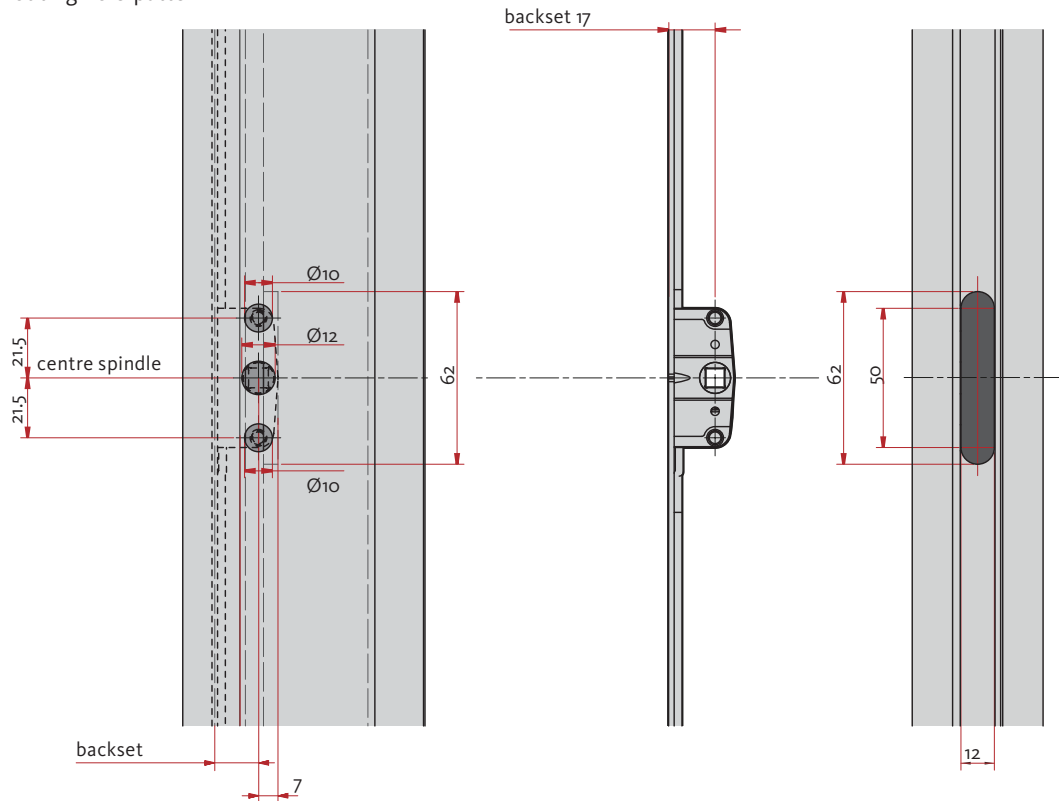
### ESPAGNOLETTE, BACKSET 17 mm, lockable

L	A	B	C	D
1800	463	808	432	777

# Espagnolettes

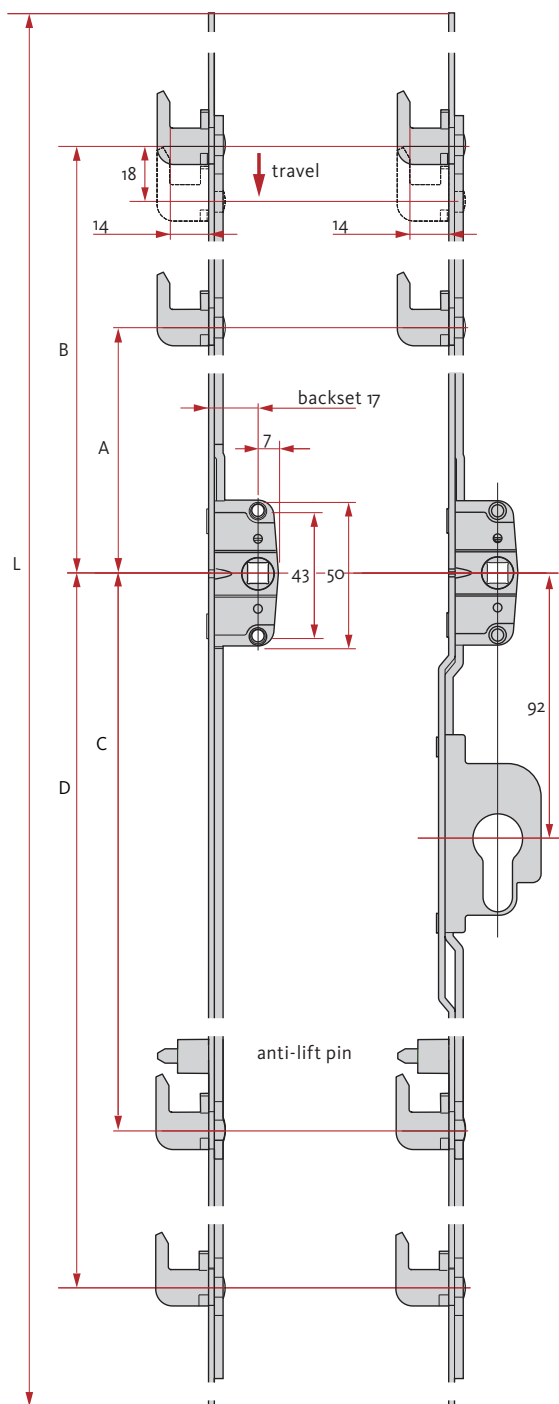
Single action Espagnolettes - with 5 mm Hook backset 17 mm

Drilling and routing hole-pattern



# Espagnolettes

Single action Espagnolettes - with 14 mm hooks backset 17 mm



## ESPAGNOLETTE, BACKSET 17 mm

Application range (mm)	Lenght(mm)	Hooks 5mm	Material Nr.
601 - 1800	600	2	1110674
1801 - 2900	1800	4	1110675

## ESPAGNOLETTE, BACKSET 17 mm, lockable

Application range (mm)	Lenght(mm)	Hooks 5mm	Material Nr.
1801 - 2900	1800	4	1110676

## DETAILED DIMENSIONS

### ESPAGNOLETTE, BACKSET 17 mm

L	A	B	C	D
600	-	242	-	228
1800	463	808	432	777

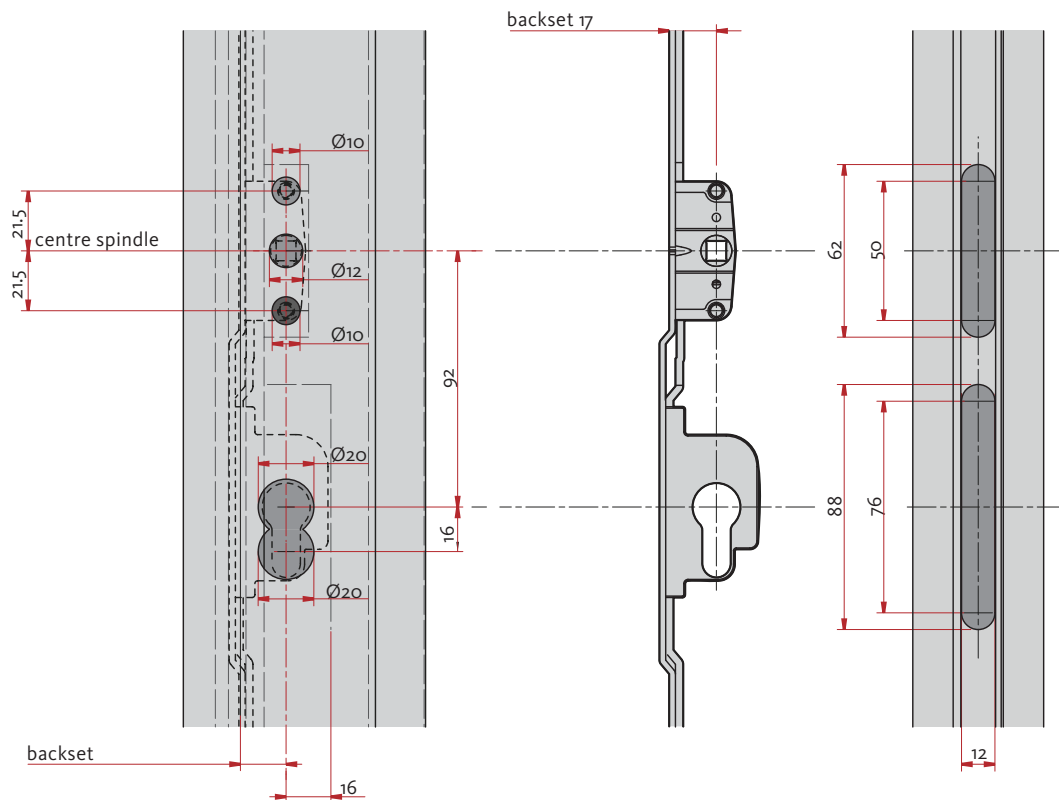
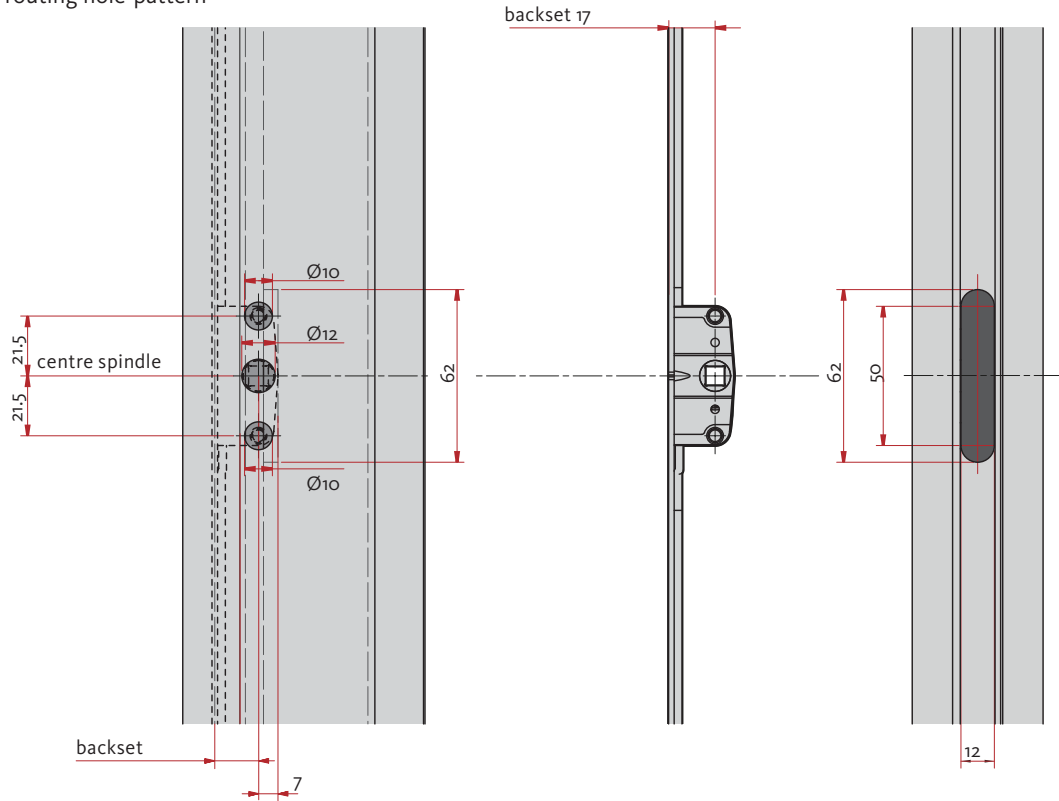
### ESPAGNOLETTE, BACKSET 17 mm, lockable

L	A	B	C	D
1800	463	808	432	777

# Espagnolettes

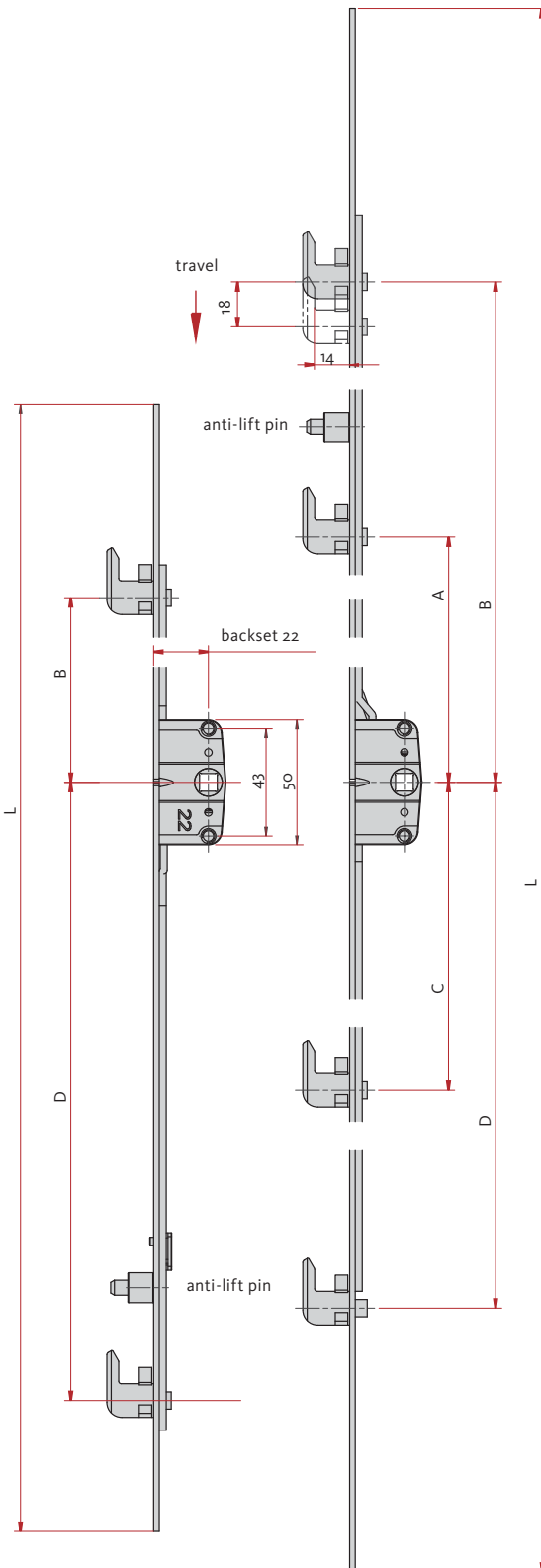
Single action Espagnolettes - with 14 mm hooks and anti-mishandling device backset 17 mm

Drilling and routing hole-pattern



# Espagnolettes

Single action Espagnolettes - with 14 mm hooks backset 22 mm



ESPAGNOLETTE, BACKSET 22 mm

Application range (mm)	Length(mm)	Hooks 14 mm	Material Nr.
600 - 1800	600	2	1110677
1801 - 2900	1800	4	1110678

## DETAILED DIMENSIONS

ESPAGNOLETTE, BACKSET 22 mm

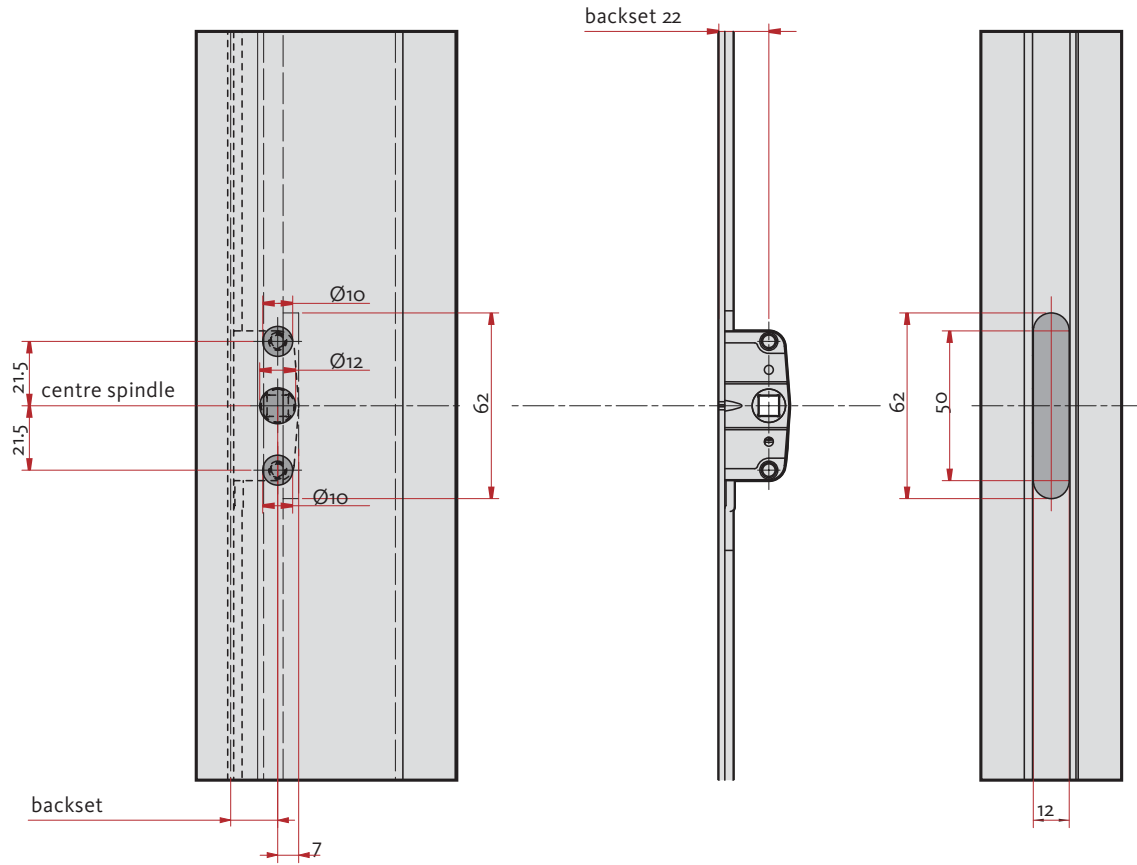
L	A	B	C	D
600	-	242	-	228
1800	463	808	432	777



# Espagnolettes

Single action Espagnolettes - with 14 mm hooks backset 22 mm

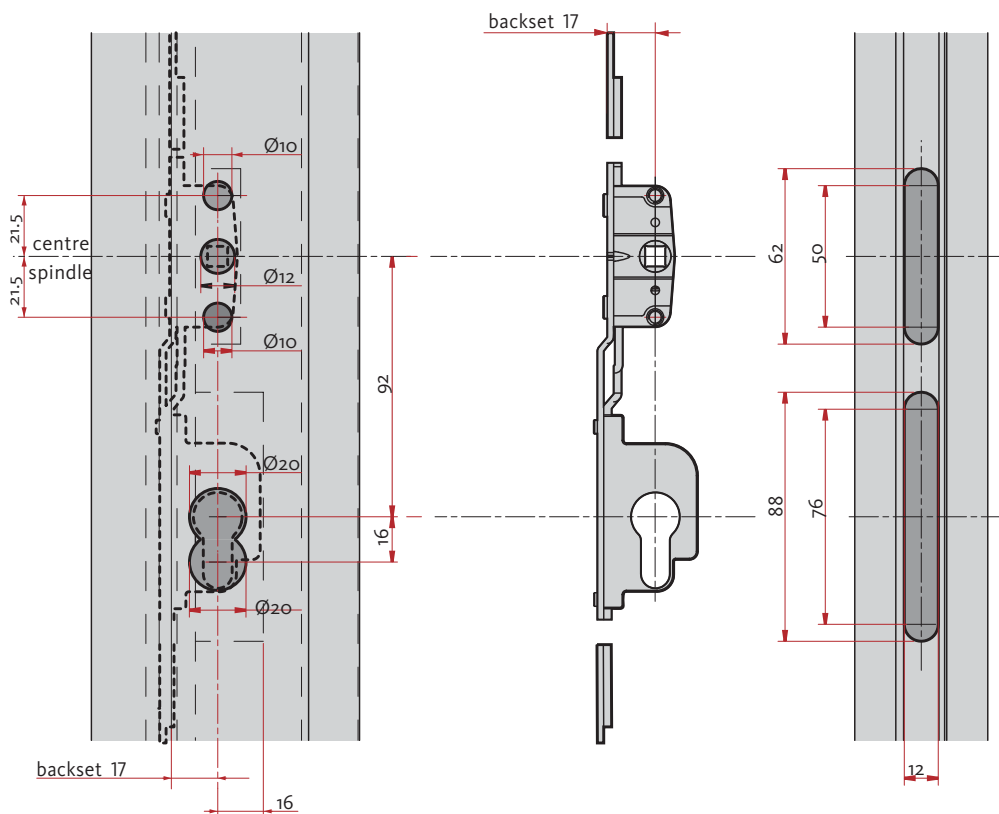
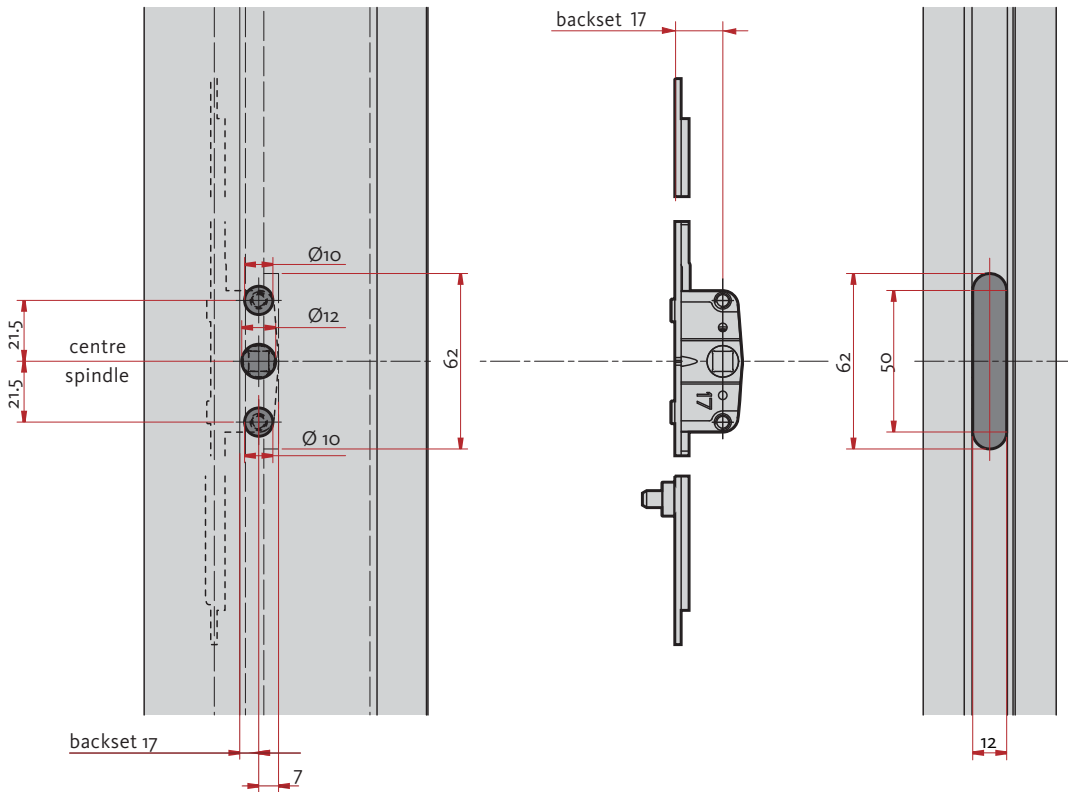
Drilling and routing hole-pattern



# Espagnolettes

Single action Espagnolettes - with 14 mm night vent hooks backset 17 mm

Drilling and routing hole-pattern



# Strikers



## SINGLE STRIKERS

Can be used on all locking points (with cams, 5 mm hocks, 14 mm hooks, 8 mm night-vent hooks, 14 mm claws) even on the locking point with anti-lift pin nearby.

Strikers is dependent from profile!

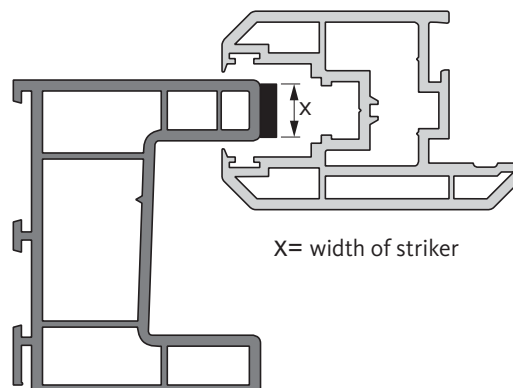


STRIKER - FRAME		Pack.	Material Nr.
ALUPLAST			1070140
FINTRAL			1070141
KBE			1070140
KÖMMERLING SF2	- RIGHT		1007336
KÖMMERLING SF2	- LEFT		1007335
KÖMMERLING SF3			1070140
SCHÜCO			1070140
THYSSEN Prestige			1070141
TROCAL Innonova			1070141
VEKA			1070141

## One-piece strikers

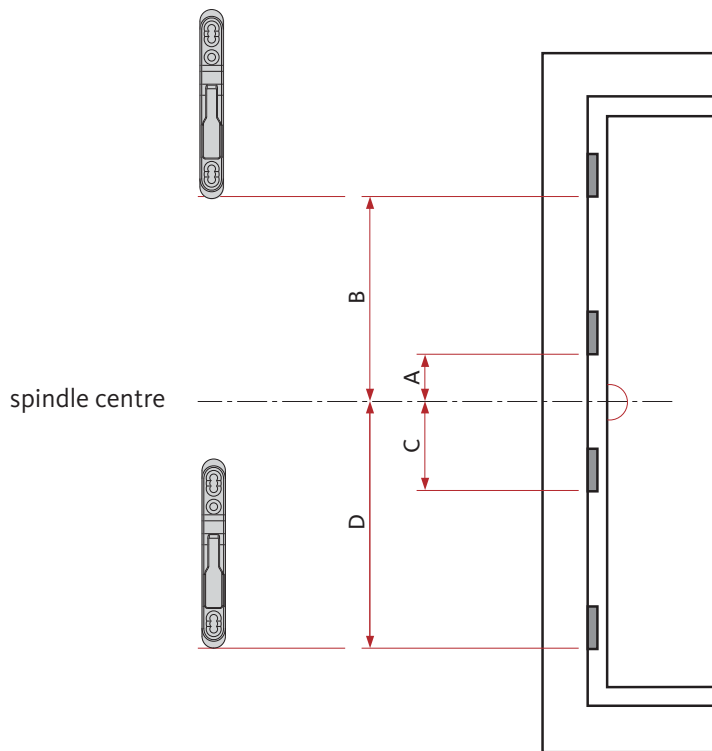
Length/mm	Width/mm	Typology	Material Nr.
600	15		1110682
1800	15		1110683
600	10		1110684
1800	10		1110685
685	15		1110686
1800	15		1110687

## Profile section PVC



# Installation of strikers - single action espagnolettes

## Striker positions (mm)



Dimensions noted from spindle centre to the end of striker (point of entry side)

### ESPAGNOLETTE, BACKSET 7 mm

Lenght (mm)	cams	A	B	C	D
400	2	-	93	-	177
600	2	-	193	-	277
800	2	-	293	-	377
1000	3	78	393	-	477
1200	3	78	493	-	577
1800	4	416	761	479	824

### ESPAGNOLETTE, BACKSET 17 mm

Lenght (mm)	cams	A	B	C	D
240	2	-	38	-	122
400	2	-	93	-	177
600	2	-	193	-	277
800	2	-	293	-	377
1000	3	78	393	-	477
1200	3	78	493	-	577
1800	4	416	761	479	824
1800 Lockable	4	416	761	479	824

### ESPAGNOLETTE, hook 5 mm, backset 17 mm

Lenght (mm)	cams	A	B	C	D
600	2	-	189	-	281
1800	4	411	756	484	829
1800 Lockable	4	411	756	484	829

### ESPAGNOLETTE, hook 5 mm, backset 17 mm, with anti-mishandling device

Lenght (mm)	cams	A	B	C	D
600	2	-	189	-	281
1800 Lockable	4	411	756	484	829

### ESPAGNOLETTE, hook 14 mm, backset 17 mm

Lenght (mm)	cams	A	B	C	D
600	2	-	189	-	281
1800	4	411	756	484	829
1800 Lockable	4	411	756	484	829

### ESPAGNOLETTE, hook 14 mm, backset 22 mm,

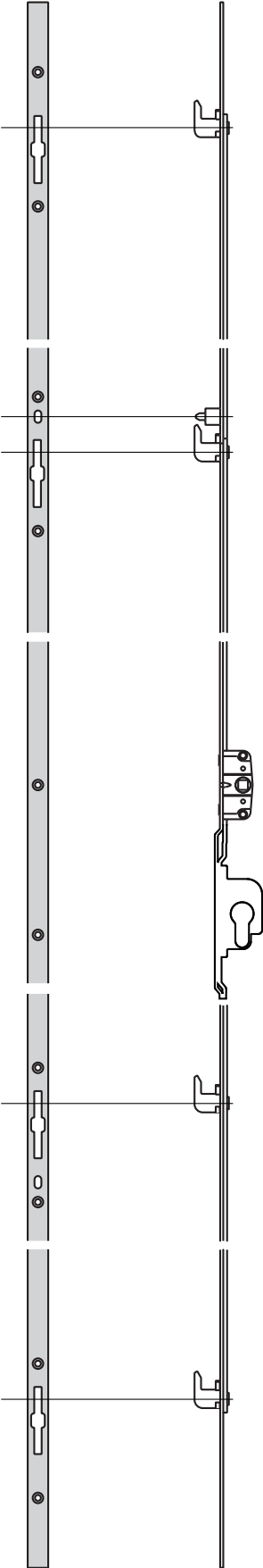
Lenght (mm)	cams	A	B	C	D
600	2	-	189	-	281
1800	4	411	756	484	829

### ESPAGNOLETTE, night-vent hook, backset 17 mm

Lenght (mm)	cams	A	B	C	D
600	2	-	189	-	281
600 Lockable	2	-	189	-	281
1800 Lockable	4	411	756	484	829

# Strikers - Installation of one and two piece strikers

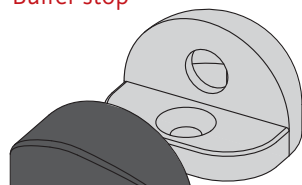
One-piece striker for single action espagnolettes



# Accessories

## BUFER STOP

Buffer stop



Rubber part

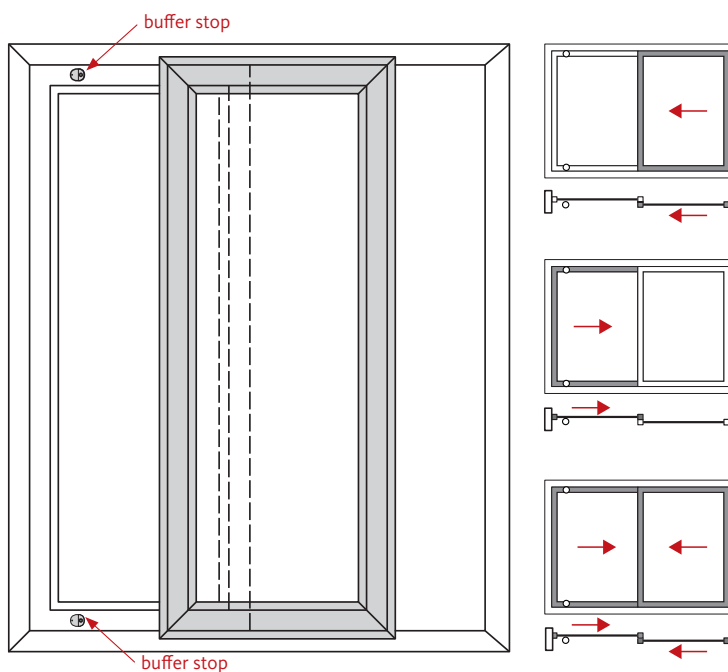
The buffer stop prevents the frame from being damaged when the window or door is being slammed shut. In case of diagrams with 2 overlapping movable sashes (diagram D and F) and the use of no pop-up handle on the backmost sash the handle on the backmost sash is protected as well.

Buffer stop (includes rubber part, without screws)

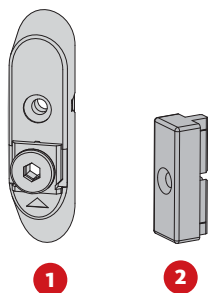
Description	Colour	Material Nr.
BUFFER STOP	Grey brown, RAL 8019	1077003
	Jet black, RAL 9005	1077005
	Traffic white, RAL 9016 White aluminium, RAL 9006	1077002

Rubber part

Description	Colour	Material Nr.
RUBER PART	Jet black, RAL 9005	1077004



## ANTI-MISHANDLING DEVICE



1

2

This device allows the locking points to be moved only when the door has been closed, thus preventing damage to the mechanism.

Possible damage arising from the door being slammed shut with the hardware in the locked position is eliminated.

Can be used in combination with espagnolettes with 14 mm hooks or claws.

1	MISHANDLING DEVICE PM	1011131
2	MISHANDLING FRAME PART	1099327





**ARX**<sup>®</sup>  
ARX is registered trademark  
of Kovinoplastika Lož inc.

KOVINOPLASTIKA LOŽ d.d.  
Cesta 19. oktobra 57 • SI-1386 Stari trg pri Ložu • Slovenija

Telefon: +386 (1) 70 95 100 • Fax: +386 (1) 70 95 553  
info@kovinoplastika.si • <http://www.kovinoplastika.si>